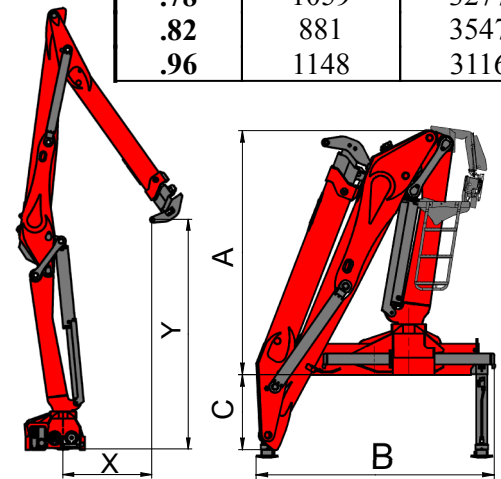


L170Z	X	Y
.78	1059	3277
.82	881	3547
.96	1148	3116



L170Z	A	B	C
.78	2449	2500	780
.82	2449	2500	780
.96	2449	2500	780

	3	4	5	6	7	8	9
L190Z	5110	3950	3280	2890	2460	2100	1820
L170Z	4630	3560	2950	2570	2130	1860	1620
L150Z	4220	3250	2690	2350	1980	1620	1430

96 [kg] [m]

	3	4	5	6	7	8
L190Z	5160	3990	3310	2910	2500	2144
L170Z	4680	3620	3000	2620	2140	1880
L150Z	4280	3300	2730	2390	1960	1710

82 [kg] [m]

	3	4	5	6	7
L190Z	5220	4050	3370	2980	2540
L170Z	4730	3670	3070	2660	2200
L150Z	4330	3340	2780	2430	2020

78 [kg] [m]



Tajfun Liv d.o.o.  
Industrijska cesta 2  
6230 Postojna  
Slovenija

T: +386 5 728 38 90  
F: +386 5 728 38 63  
E: info@tajfun-liv.si  
www.tajfun-liv.si

Tm	kNm
°	
Q	l/min
M	MPa
max	mm
	kNm
	mm
	kg

	L150Z			L170Z			L190Z		
	78	82	96	78	82	96	78	82	96
150	145	141	164	161	157	184	179	176	
	425			425			425		
	1x90 / 2x80 / 1x150LS			1x90 / 2x80 / 1x150LS			1x90 / 2x80 / 1x180LS		
	24			26			25		
	7785	8186	9564	7785	8186	9564	7785	8186	9564
	28			28			28		
	1585	2300	3200	1585	2300	3200	1585	2300	3200
	2636	2704	2750	2638	2709	2755	2731	2813	2857

# Z