

**100**

	4000	6664	10064	3200	
L150K	2740	2390	2050	1740	1460
L130K	2480	2160	1800	1560	1320
	5	6	7	8	9
	[kg]				[m]

**96**

	3620	6484	9684	3200	
L150K	2740	2390	2050	1670	1360
L130K	2480	2160	1850	1530	1230
	5	6	7	8	9
	[kg]				[m]

**83**

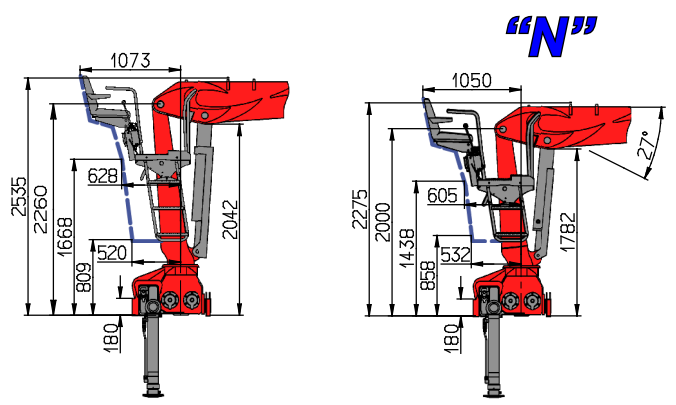
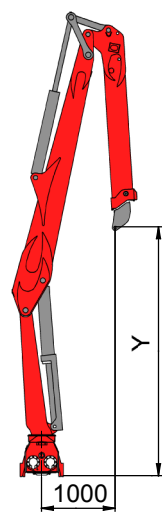
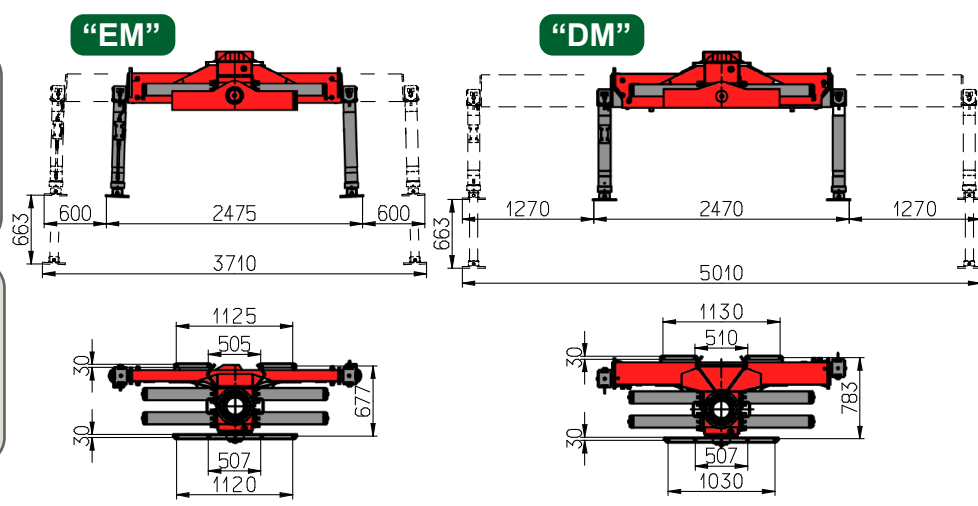
	4000	6714	8299	1585	
L150K	4340	3370	2810	2430	2100
L130K	3950	3060	2550	2200	1890
	3	4	5	6	7
	[kg]				[m]

**82**

	3620	6034	8334	2300	
L150K	4460	3460	2890	2460	2110
L130K	3940	3040	2620	2230	1910
	3	4	5	6	7
	[kg]				[m]

**79**

	3620	6334	7919	1585	
L150K	4280	3360	2830	2460	2120
L130K	3880	3050	2580	2230	1910
	3	4	5	6	7
	[kg]				[m]



Tajfun Liv d.o.o.  
 Industrijska cesta 2  
 6230 Postojna  
 Slovenija

T: +386 5 728 38 90  
 F: +386 5 728 38 63  
 E: info@tajfun-liv.si  
[www.tajfun-liv.si](http://www.tajfun-liv.si)

	L130K	L150K
	Y	
<b>.79</b>	3258	
<b>.82</b>	3560	
<b>.83</b>	3615	
<b>.96</b>	3119	
<b>.100</b>	3665	

	L130K					L150K					
	79	82	83	96	100	79	82	83	96	100	
Tm	kNm	132	128	133	124	121	150	148	153	143	141
°		425					425				
Q	l/min	1x80 / 2x70 / 1x150LS					1x80 / 2x70 / 1x150LS				
MPa		23					26				
max	mm	7919	8334	8299	9684	10064	7919	8334	8299	9684	10064
	kNm	28					28				
	mm	1585	2300	1585	3200	3200	1585	2300	1585	3200	3200
	kg	2474	2522	2503	2551	2580	2483	2527	2512	2551	2668



Navedene vrednosti so informativne in neobvezujoče. Prizadjemo si pravico do tehničnih sprememb! Listewerte nur annäherend und unverbindlich. Änderungen vorbehalten!  
 Listed values without obligation. All technical details are subject to alterations without notice! Dati, descrizioni ed illustrazioni sono indicativi e non impegnano il costruttore!