

260-T



- power to lift.

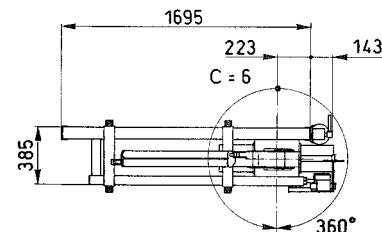
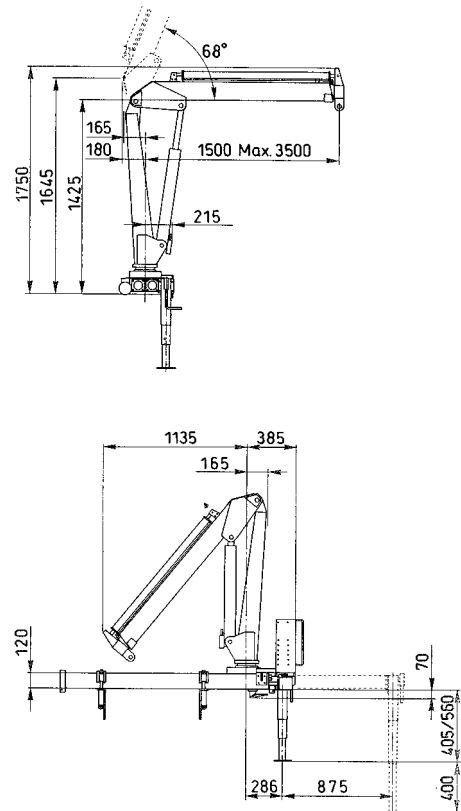
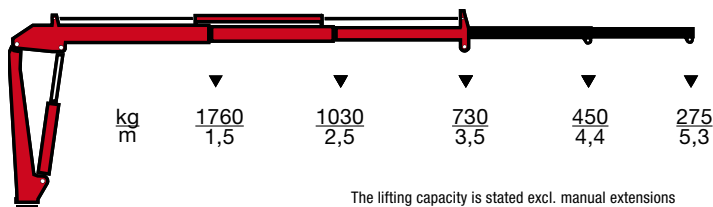
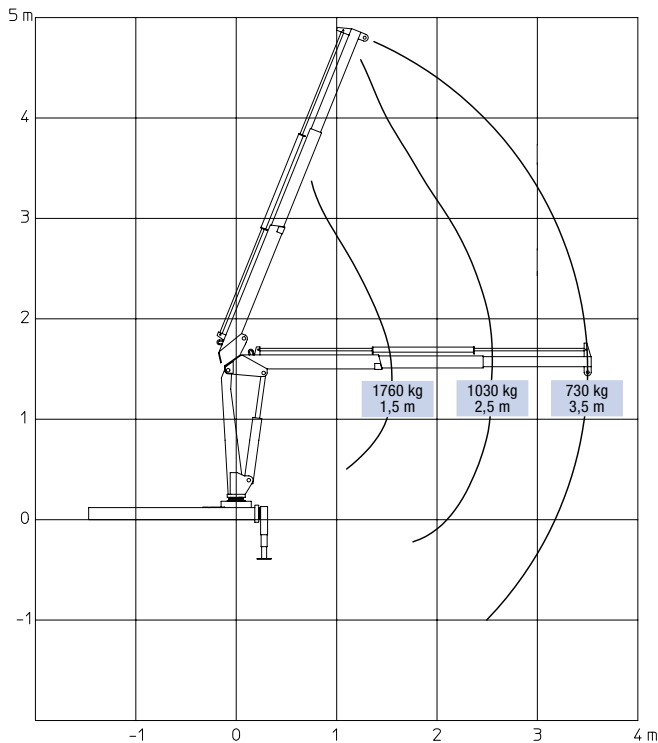
HMF T-Boom Range Loader 260-T

Reliable, fast and functional

- Minimum space requirements.
- Simple fitting system.
- Built-in safety: load-holding valves on all cylinders.
- Prepared for PTO-application as standard.
- Available as standard with one mechanical stabilizer leg.
- Fastening of the base below the platform reduces the mounting space requirements.
- Available with 2 extra valves for grab and rotator.

Loading group B2	260-T2	
Load moment	tm	2.6
Hydraulic reach	m	3.5
Slewing torque	kgm	340
Slewing angle	°	360
Height above chassis	mm	1520
Width, folded	mm	1858
Length of base, no extra valves	mm	475
Weight excl. stabilizers	kg	275
Weight, 1 stabilizer, 875 mm	kg	28
Weight, 2 stabilizers	kg	50
Working pressure	MPa	18.5
Pump performance	l/min	12
Oil tank capacity in base	l	10.5
Power consumption	kW	4.1

260-T2



Z008062-1



We reserve the right to introduce improvements and modifications

Højbjerg Maskinfabrik A/S • Oddervej 200 • DK-8270 Højbjerg
Tel.: +45 8627 0800 • Fax: +45 8627 0744 • info@hmf.dk

www.hmf.dk