

# 1660-L/2000-L

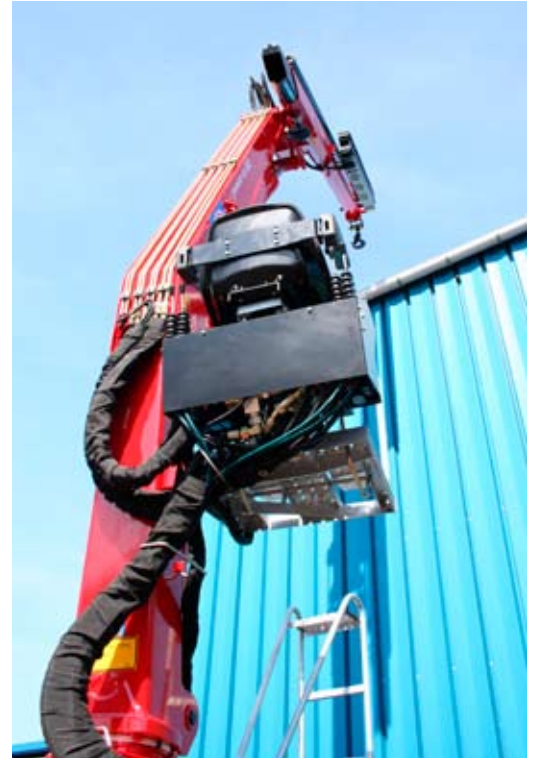
## ● HMF Long Boom Range Loaders

HMF's new range of long boom loaders have been developed to offer a high lifting capacity, long out-reach and fast working speed in the entire working area.

The loader has a centralised column on the base, which offers a maximum out-reach to both sides as well as an optimum stability. Both of which characteristics are important for efficient and safe loading and unloading of the vehicle.

The recently developed top seat has been designed based on experience and advice from qualified users. The "workplace" has become larger and good ergonomics around the control position have been incorporated in the design.

The two independent load-sensing, proportional Danfoss control valves (one for each hand/foot) and variable flow pump offer the exact speed the working situation requires and the operator needs.



## ● Sturdy Safety Guard – complete Overview

A sturdy safety guard and nothing else is placed in front of the operator to ensure the best possible view – even when working close to the loader.

The operator is thus well protected at the same time as he has a complete view of the working area.



## ● Easy Operation of Stabilizers

Control levers for operating the stabilizer functions have been placed at the rear of the top seat bracket (option). This allows the operator to easily operate all stabilizer functions from the top seat.

## ● Ergonomics and Working Environment

Joystick operation of loader functions on each side of the seat. Two foot levers have been placed in the floor of the top seat platform.

All control levers are located to fulfil the users' requirements for ergonomics and a comfortable working environment.



Z008191-0



# HMF Long Boom Range Loaders 1660-L/2000-L



- power to lift.

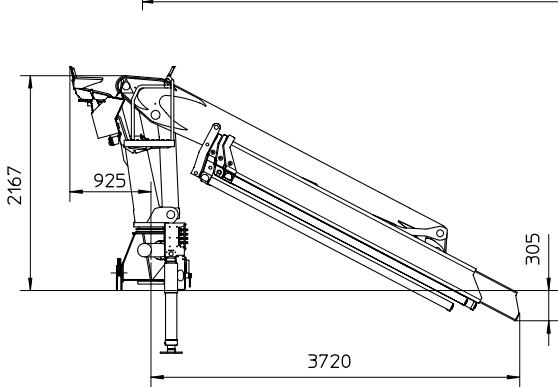
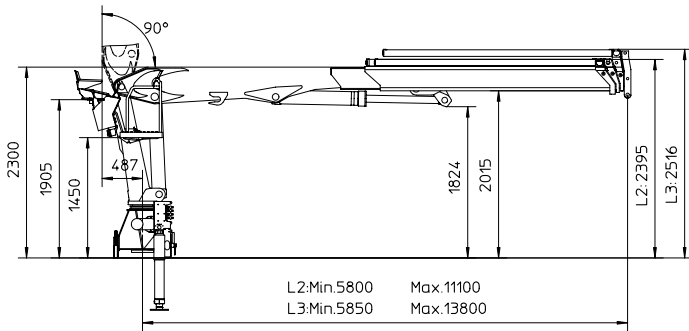
# 1660-L/2000-L

## HMF Long Boom Range Loaders

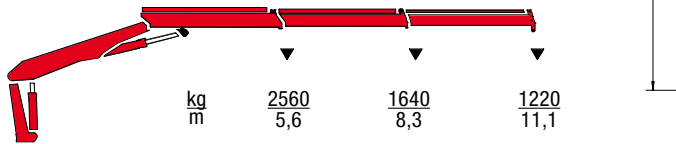
- Fitted as standard with a Danfoss load-sensing control valve and variable pump, which protects the engine of the truck whilst minimising noise and maximising fuel efficiency when the engine is running idle.
- The load-sensing valve block offers a very high working speed when required.
- Reach and lifting capacity designated to maximise efficient operation.
- Newly developed top seat with sophisticated control valves ensures precise operation.
- Optional stabilizer operation from the top seat ensures a fast working cycle.
- Large and spacious top seat with direct control of the control valves by means of joysticks and foot levers.
- Increased visibility, even to loads placed very close to the loader.
- The option of a heated seat ensures a comfortably working environment during cold weather.



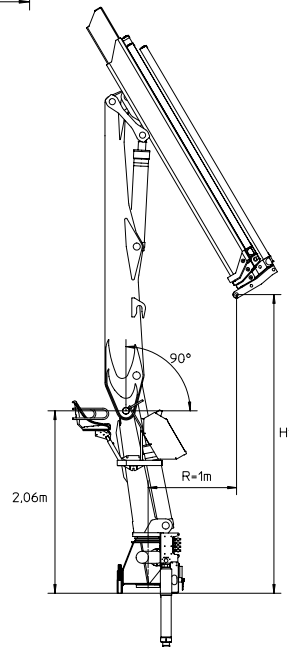
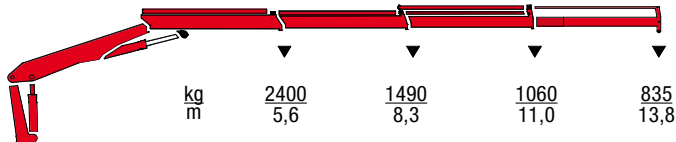
### 1660-L



### 1660-L2

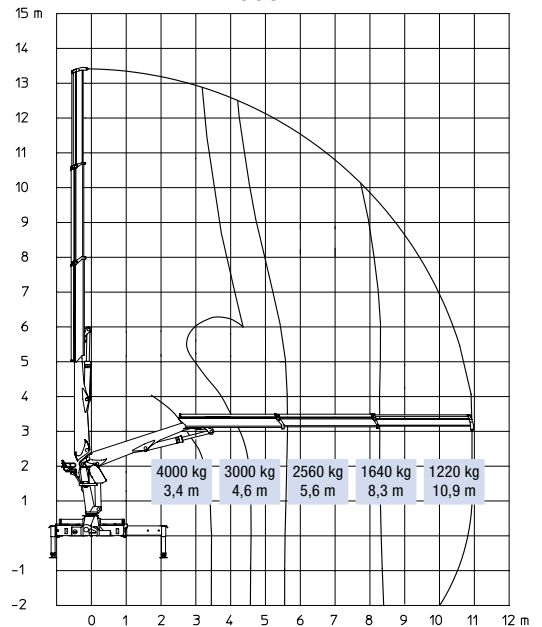


### 1660-L3

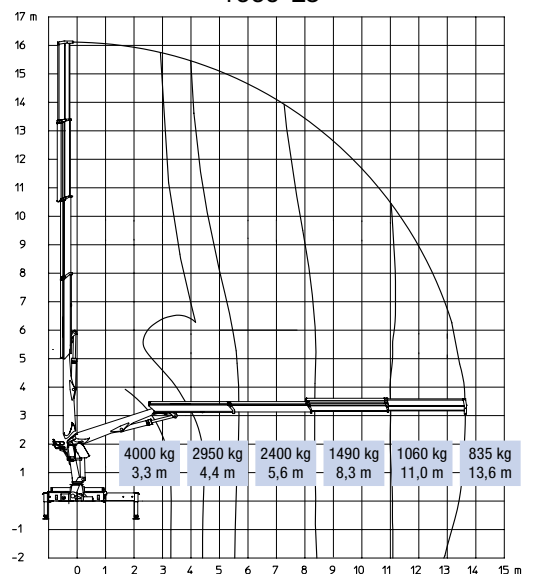


	H1
1660-L2	3,43 m
1660-L3	3,38 m

### 1660-L2



### 1660-L3

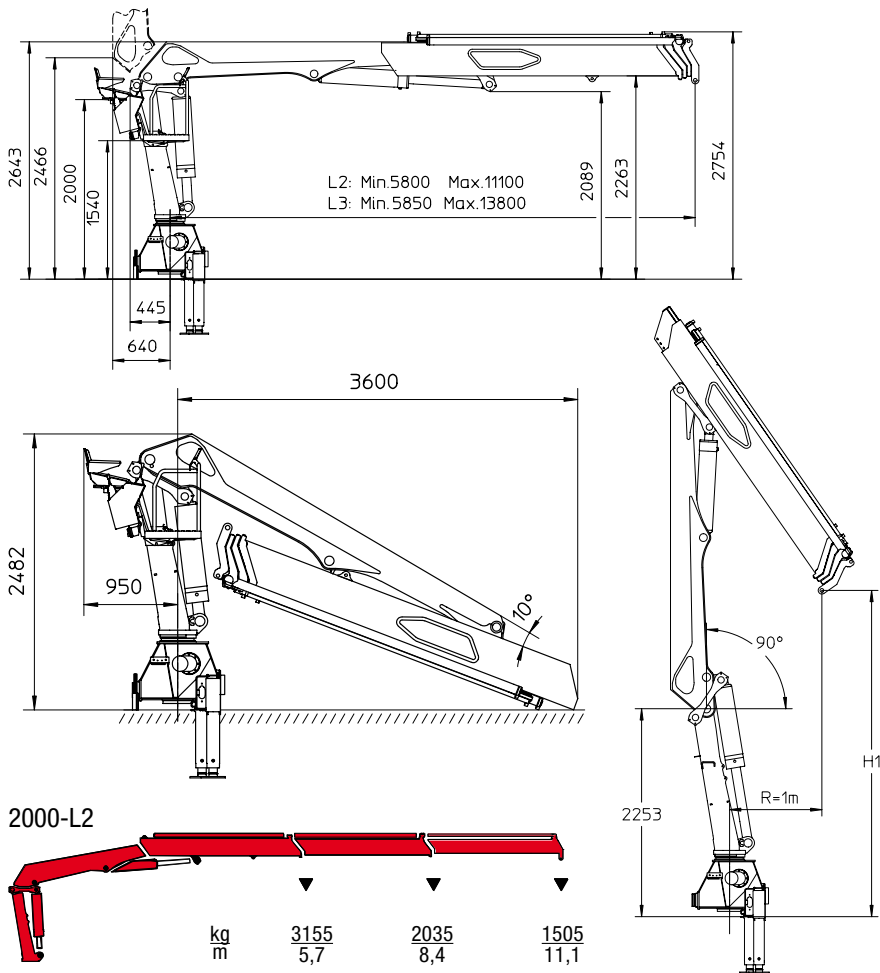


# 1660-L/2000-L

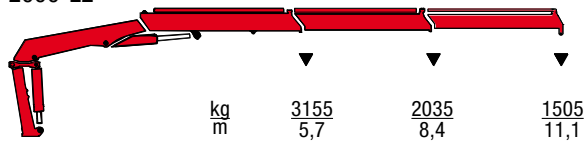
Loading group B3		1660-L2	1660-L3
Load moment	tm	14.4	13.6
Hydraulic reach	m	11.1	13.8
Slewing torque	kgm	2000	2000
Slewing angle	°	410	410
Height above chassis	mm	2167	2167
Width, folded	mm	2420	2420
Length	mm	743	743
Stabilizer spread, standard	mm	5100	5100
Stabilizer spread, double extension	mm	6430	6430
Weight excl. stabilizers	kg	2040	2220
Weight of stabilizers, standard	kg	250	250
Working pressure	MPa	27.0	27.0
Pump performance	l/min	2x50	
Oil tank capacity, separate tank	l	90-160	90-160
Power consumption	kW	22.5	22.5
Hook height 1 m from column	m	3.43	3.38

Loading group B3		2000-L2	2000-L3
Load moment	tm	18.0	16.7
Hydraulic reach	m	11.1	13.8
Slewing torque	kgm	2170	2170
Slewing angle	°	410	410
Height above chassis	mm	2482	2482
Width, folded	mm	2420	2420
Length of base, no extra valves	mm	830	830
Stabilizer spread, standard	mm	5100	5100
Stabilizer spread, double extension	mm	6430	6430
Weight excl. stabilizers	kg	2700	2900
Weight of stabilizers, standard	kg	300	300
Working pressure	MPa	28.0	28.0
Pump performance	l/min	2x50	
Oil tank capacity, separate tank	l	90-160	90-160
Power consumption	kW	23.3	23.3
Hook height 1 m from column	m	3.59	3.54

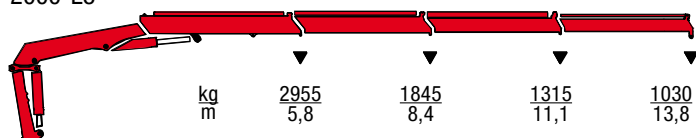
## 2000-L



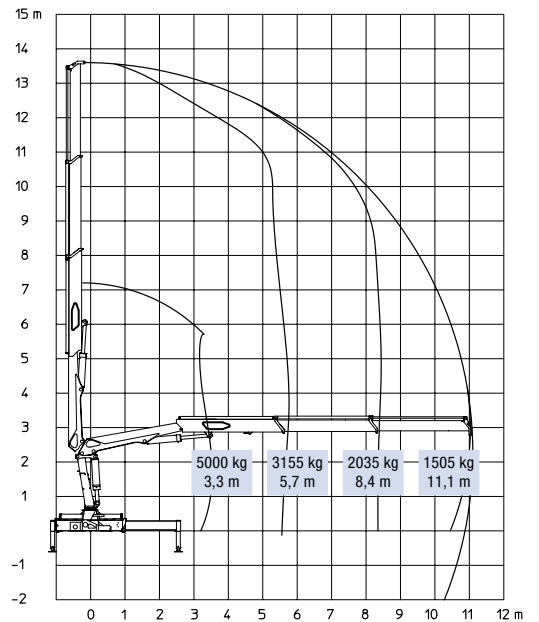
### 2000-L2



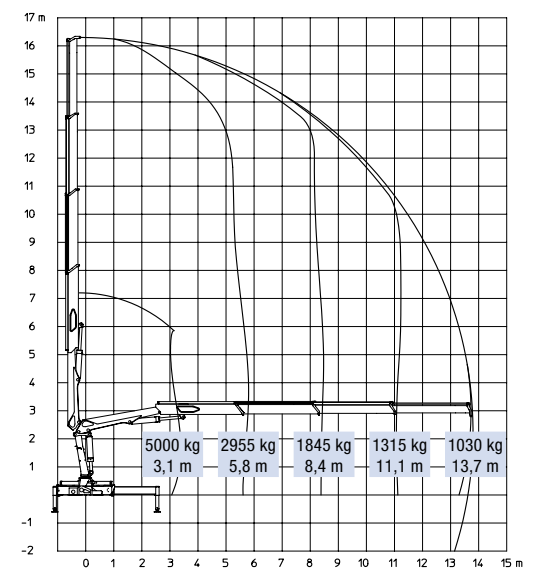
### 2000-L3



## 2000-L2



## 2000-L3



	H1
2000 L2	3.59 m
2000 L3	3.54 m