

200-T



- power to lift.

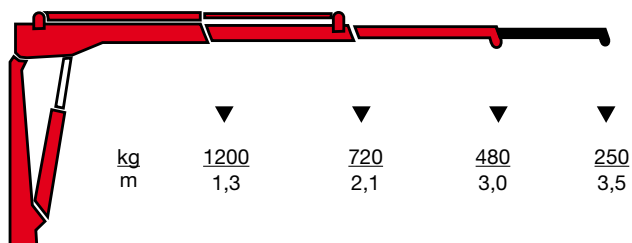
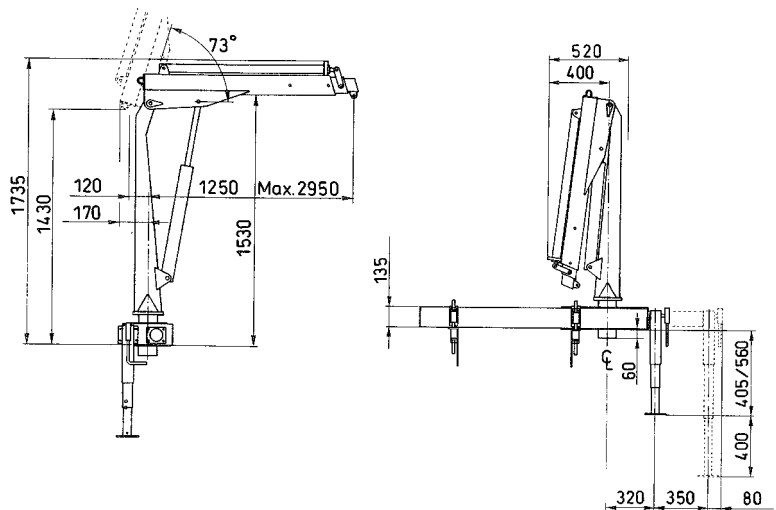
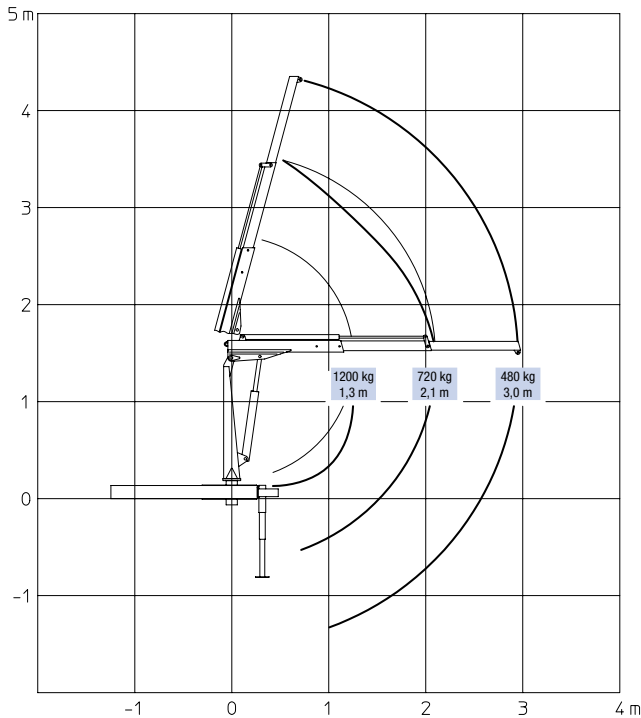
HMF T-Boom Range Loader 200-T

The small Loader with the large Lift

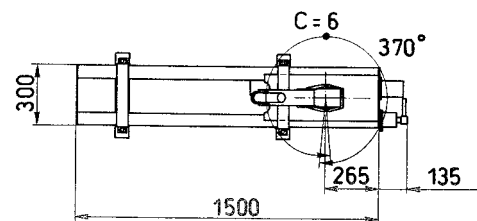
- Low tare weight and large slewing area
- Lifts 1,200 kg at 1.3 metres
- Hydraulic reach up to 3 metres
- Easy and simple operation
- Built-in safety: load-holding valves on all cylinders
- Equipped with HMF's RCI safety system
- Requires minimum space in transport position
- Precise and reliable slewing system

Loading group B2		200-T1	200-T2
Load moment	tm	1.5	1.5
Hydraulic reach	m	2.1	3.0
Slewing torque	kgm	140	140
Slewing angle	°	370	370
Height above chassis	mm	1565	1565
Width, folded	mm	520	520
Weight incl. 1 stabilizer and power pack	kg	185	200
Weight incl. M-base	kg	160	175
Working pressure	MPa	15.5	15.5
Pump performance	l/min	4-8	4-8
Oil tank capacity in base	l	8	8
Separate electro-hydraulic pump	V	12/24	12/24
Power consumption	V	12	12
	amp	220	220
Power consumption	V	24	24
	amp	110	110

200-T1/T2



The lifting capacity is stated excl. manual extensions



Z008048-1



Højbjerg Maskinfabrik A/S • Oddervej 200 • DK-8270 Højbjerg
Tel.: +45 8627 0800 • Fax: +45 8627 0744 • info@hmf.dk

www.hmf.dk

We reserve the right to introduce improvements and modifications