

1660-L/2000-L



HMF Long Boom Range Loaders 1660-L/2000-L



- power to lift.

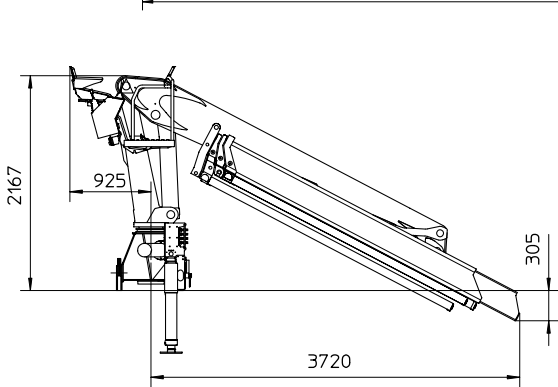
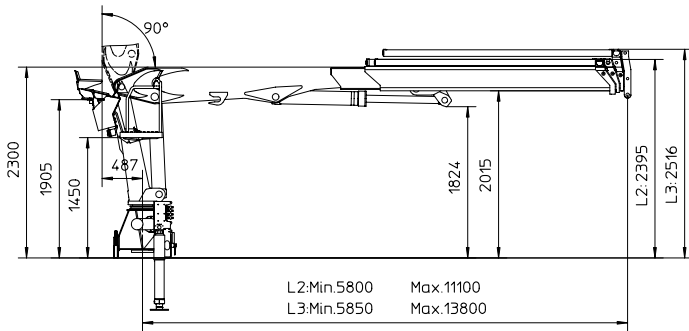
1660-L/2000-L

HMF Long Boom Range Loaders

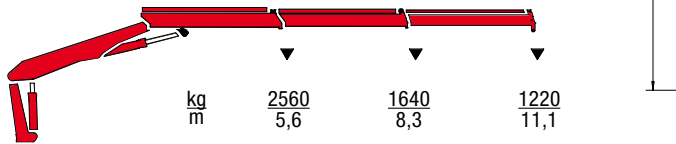
- Fitted as standard with a Danfoss load-sensing control valve and variable pump, which protects the engine of the truck whilst minimising noise and maximising fuel efficiency when the engine is running idle.
- The load-sensing valve block offers a very high working speed when required.
- Reach and lifting capacity designated to maximise efficient operation.
- Newly developed top seat with sophisticated control valves ensures precise operation.
- Optional stabilizer operation from the top seat ensures a fast working cycle.
- Large and spacious top seat with direct control of the control valves by means of joysticks and foot levers.
- Increased visibility, even to loads placed very close to the loader.
- The option of a heated seat ensures a comfortably working environment during cold weather.



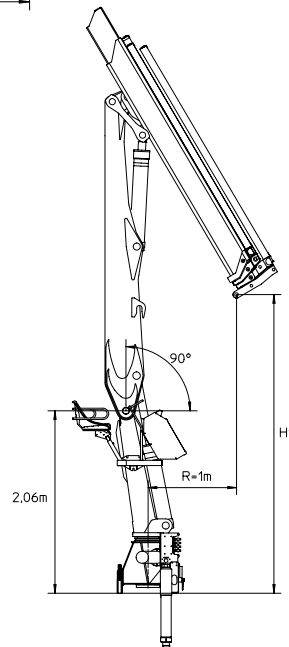
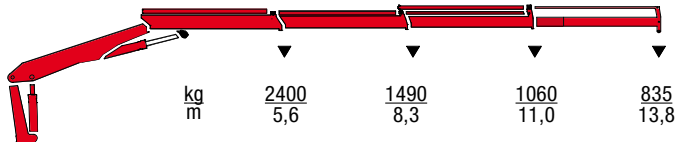
1660-L



1660-L2

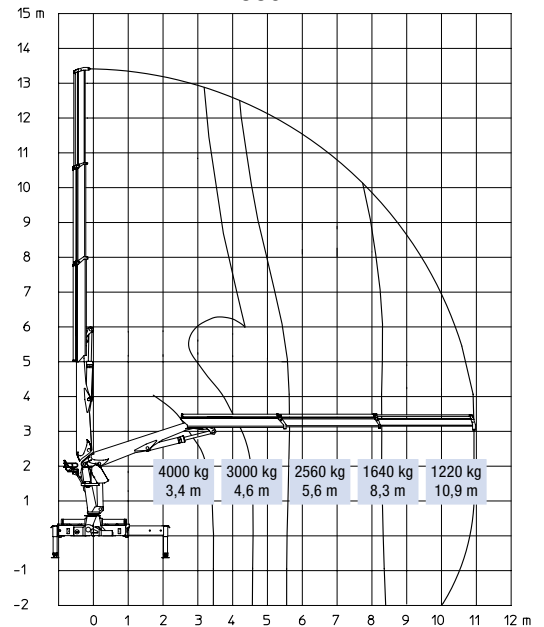


1660-L3

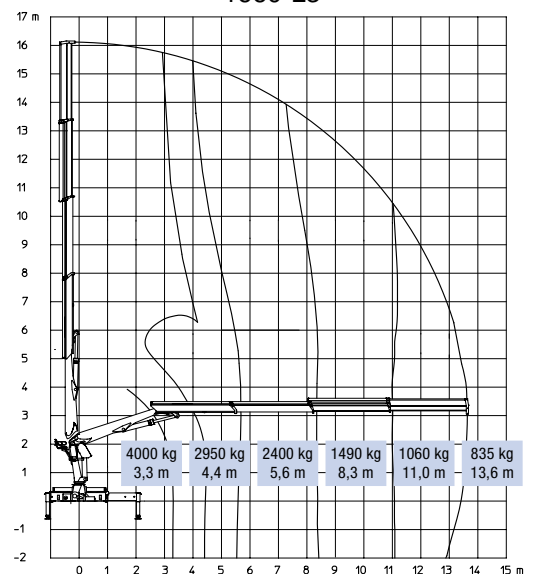


	H1
1660-L2	3,43 m
1660-L3	3,38 m

1660-L2



1660-L3

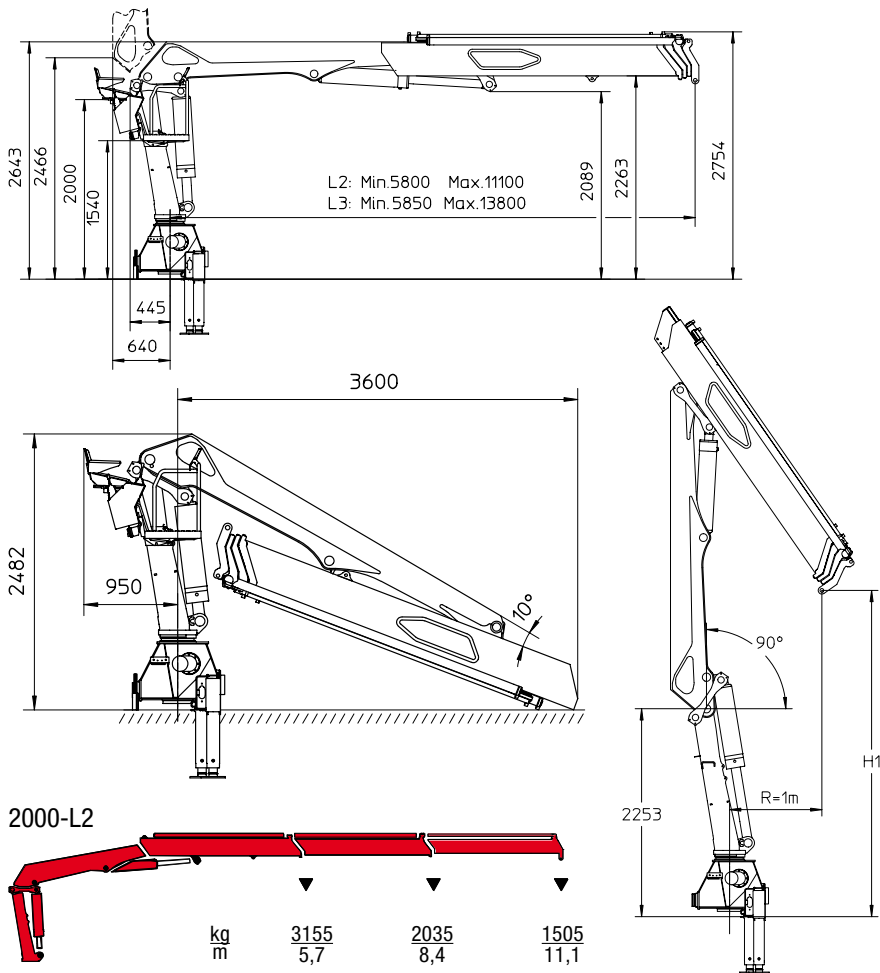


1660-L/2000-L

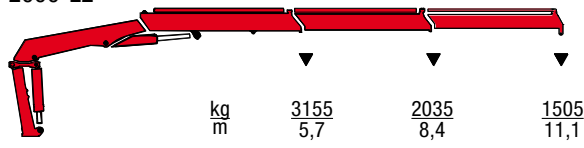
Loading group B3		1660-L2	1660-L3
Load moment	tm	14.4	13.6
Hydraulic reach	m	11.1	13.8
Slewing torque	kgm	2000	2000
Slewing angle	°	410	410
Height above chassis	mm	2167	2167
Width, folded	mm	2420	2420
Length	mm	743	743
Stabilizer spread, standard	mm	5100	5100
Stabilizer spread, double extension	mm	6430	6430
Weight excl. stabilizers	kg	2040	2220
Weight of stabilizers, standard	kg	250	250
Working pressure	MPa	27.0	27.0
Pump performance	l/min	2x50	
Oil tank capacity, separate tank	l	90-160	90-160
Power consumption	kW	22.5	22.5
Hook height 1 m from column	m	3.43	3.38

Loading group B3		2000-L2	2000-L3
Load moment	tm	18.0	16.7
Hydraulic reach	m	11.1	13.8
Slewing torque	kgm	2170	2170
Slewing angle	°	410	410
Height above chassis	mm	2482	2482
Width, folded	mm	2420	2420
Length of base, no extra valves	mm	830	830
Stabilizer spread, standard	mm	5100	5100
Stabilizer spread, double extension	mm	6430	6430
Weight excl. stabilizers	kg	2700	2900
Weight of stabilizers, standard	kg	300	300
Working pressure	MPa	28.0	28.0
Pump performance	l/min	2x50	
Oil tank capacity, separate tank	l	90-160	90-160
Power consumption	kW	23.3	23.3
Hook height 1 m from column	m	3.59	3.54

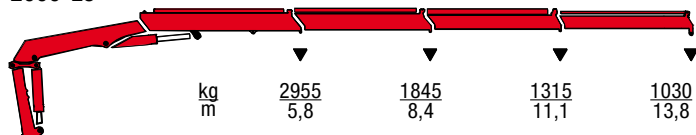
2000-L



2000-L2

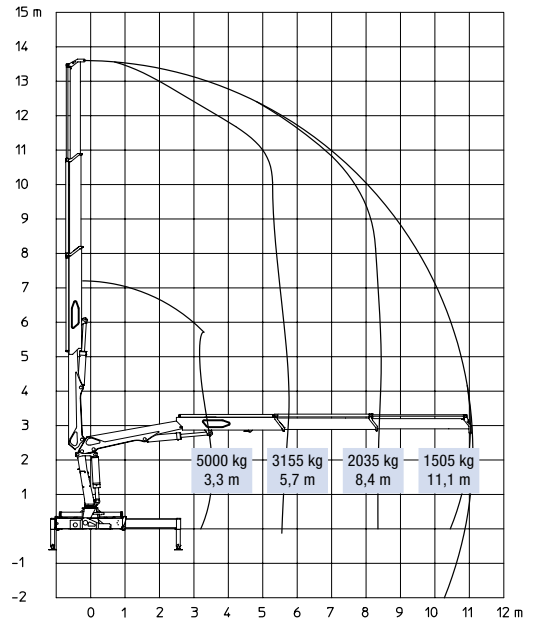


2000-L3



	H1
2000 L2	3.59 m
2000 L3	3.54 m

2000-L2



2000-L3

